

THIS DRAWING IS UNPUBLISHED.

RELEASED FOR PUBLICATION

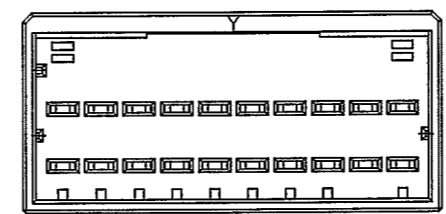
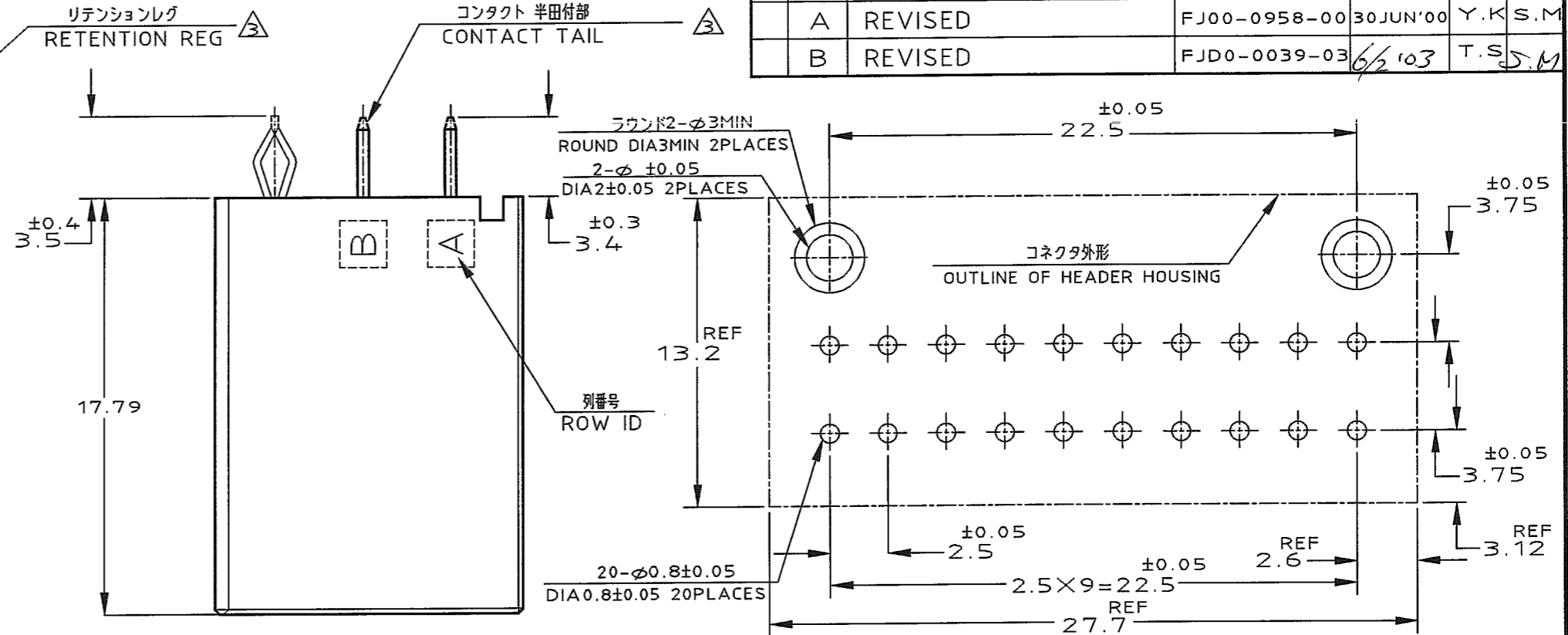
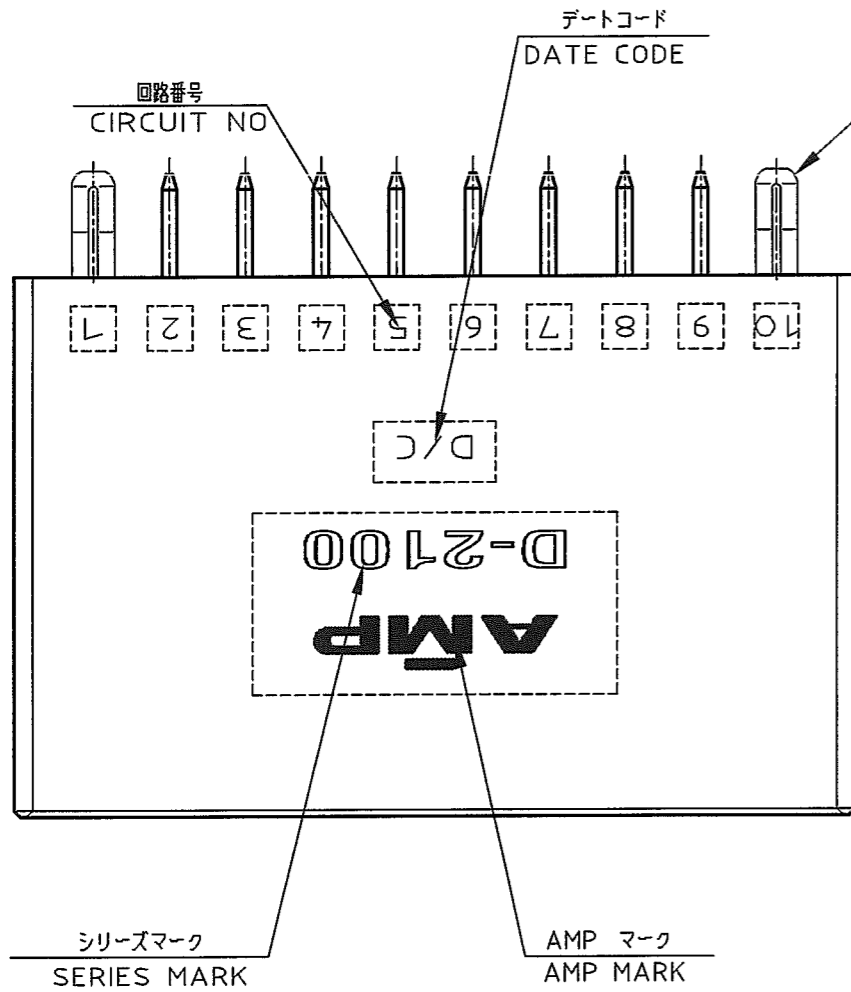
1998

© COPYRIGHT 1998

BY AMP INCORPORATED. ALL RIGHTS RESERVED.

LOC	DIST
J	

REVISIONS					
P	LTR	DESCRIPTION	ECN	DATE	APVD
0		RELEASED	FJ00-1421-98	7DEC'98	K.I I.H
A		REVISED	FJ00-0958-00	30JUN'00	Y.K S.M
B		REVISED	FJD0-0039-03	6/103	T.S S.M



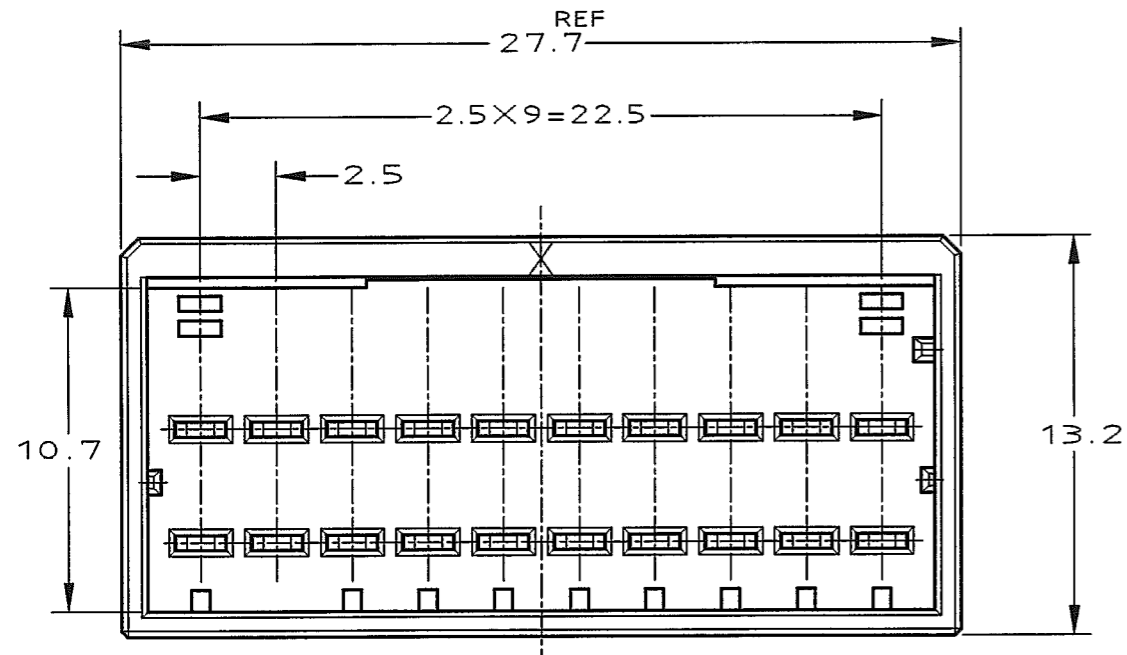
1318127-2  
(KEYING Y)  
SCALE:2-1

NOTES

- 1. MATERIAL:HOUSING:GLASS FILED THERMO PLASTIC ,POLYESTER(94V-0),COLOR:BLACK
- TAB CONTACT:COPPER ALLOY
- RETENTION LEG:BRASS
- △2 FINISH(CONTACT AREA):0.38μmMIN GOLD PLATING OVER Ni PLATING
- △3 FINISH(RETENTION LEG): TIN PLATED (CONTACT TAIL) OVER NICKEL

注記

- 1. 材料: ハウジング: ガラス入り熱可塑性 ポリエステル樹脂 (94V-0),色:黒
- タブ コンタクト: 銅合金
- リテンション レグ: 黄銅
- △2 めっき: コンタクト: 全面Ni下地 接触部: 0.38μm MIN金めっき
- △3 めっき: リテンションレグとコンタクト半田付部 : ニッケル下地の上にスズめっき



1318127-1  
(KEYING X)

THIS DRAWING IS A CONTROLLED DOCUMENT FOR AMP INCORPORATED. IT IS SUBJECT TO CHANGE AND THE CONTROLLING ENGINEERING ORGANIZATION SHOULD BE CONTACTED FOR THE LATEST REVISION.		DWN K.IKEDA 7/DEC/98		tyco Electronics		Tyco Electronics AMP K.K. Kawasaki, Japan	
DIMENSIONS: 単位 毎 mm		CHK N.MATSUBARA 7/DEC/98		NAME 2列 ヘッダーアセンブリー 20P		DOUBLE ROW HEADER ASS'Y 20P ("V"TYPE)	
TOLERANCES UNLESS OTHERWISE SPECIFIED		APVD I.HASEGAWA 7/DEC/98		製品規格 108-5619		<DYNAMIC D-2100D>	
MATERIAL 注記参照 SEE NOTES		FINISH 注記参照 SEE NOTES		APPLICATION SPEC 114-5258		DRAWING NO C=1318127	
MATERIAL 注記参照 SEE NOTES		FINISH 注記参照 SEE NOTES		WEIGHT		RESTRICTED TO	
CUSTOMER DRAWING		SCALE 4-1		SHEET 1 OF 1		REV B	